

WAREWASHING
GLASSWASHER



PROFI GC

EFFICIENT - RELIABLE - INNOVATIVE



 made in germany

MADE IN GERMANY

„Made in Germany“ has been synonymous with quality and reliability in the premium segment for a long time and still is today. A company can only maintain its hold on the market by keeping its promise to continually deliver high quality.

WORLDWIDE

Whether you need a completely new kitchen or a replacement item our competent subsidiaries and partners all over the world would be pleased to support you. It's nice to know we are always there.



1883 Mr. Charles Clarence Hobart builds his first engines and generators in Middletown, Ohio.

1886 J.C. Cochran receives the patent for the first dishwasher.

1897 The HOBART ELECTRICAL MANUFACTURING COMPANY was founded in Troy Ohio, through the acquisition of the engine and generator factory of the HOBART family.

1903 HOBART builds the first food processor (a self-contained powered coffee mill).

1926 HOBART purchases The Crescent Washing Machine Company, and enters the commercial warewashing market: the first warewashing machine carrying a HOBART label.

1930 Foundation of the HOBART MASCHINEN GESELLSCHAFT in Hamburg, Germany.

1953 HOBART receives the patent for the first flight-type dishwasher.

1960 Acquisition of the dishwashing department of the company K. Martin, Offenburg, Germany.

1980 Production plant in Elgersweier, Germany, was newly built.

1986 PREMARK INTERNATIONAL GROUP was formed in Deerfield, Illinois.

1997 HOBART CORPORATION'S 100th anniversary.

1999 Integration of PREMARK into ITW.

2007 HOBART presents its new dishwasher generation PREMAX.

HOBART PHILOSOPHY

UNDERSTAND – SIMPLIFY – FOCUS – INNOVATE

This philosophy provides the continuing motivation to develop innovations, which are the best driver of economic development and a guarantee for job security. It is a philosophy of the essential, of customer value, of simplicity. A philosophy built on the conviction that things created for a purpose and with logic, do not need to be completely renewed, but must instead be subject to continuous evolution.

HOBART VISION

“WASH WITHOUT WATER“

Before PREMAX, a flight-type dishwasher with a 50% water saving would have been utopia. At HOBART, efficiency and responsible use of natural resources when developing new machines have always gone hand in hand. With PREMAX, the company has set a further milestone, and has further extended its leadership in innovation. But even so, HOBART is not satisfied with this. The company will not diminish the pace of its innovation, and will look for further opportunities to save even more. When the day arrives that a machine is able to wash without water, we already know, it will be a PREMAX.

HOBART FOCUS

INNOVATION

Without the readiness to invest in the future, without the natural reaction of always questioning ourselves, without interdisciplinary basic research and consistent customer focus, PREMAX would be inconceivable. Worldwide, over 300 research and development engineers and global marketing teams, who identify customer requirements, as well as the company's own Tech-Center, with over 1,000 patent applications annually, develop innovative technology and make PREMAX possible.

ECOLOGY

The HOBART environmental protection program CO₂NSEQUENT has been in existence for some time. The program includes a large number of measures that are all related to protecting the environment. These measures are implemented in production, purchasing, the development and sale of products and in additional projects.

ECONOMY

Already in the early 1980s our E-formula set standards in energy saving and recovery which are still unique today. This innovative spirit found its fulfillment in the PREMAX line. The PREMAX flight-type dishwasher saves up to 50% water, 30% energy, and 80% chemicals in comparison with conventional technologies, making HOBART a model in terms of efficiency and economy.

made in germany



1

2

3

4

1 „We mostly wash glasses, but there are also coffee cups and small plates to be cleaned. We were therefore looking for a washer that would clean both without making compromises. In the GC from HOBART, we found just what we needed.”

2 „When things get busy, we depend on a glasswasher that does it all by itself. The HOBART glasswasher is just such a machine, as it is extremely easy to operate.”

3 „Our guests like nothing better than a cold glass of beer. During rush times in the past, we sometimes had to serve them their drinks in glasses that were still hot from the machine. With the HOBART cold rinse system, this has become a thing of the past.”

4 „Our glasswasher is running constantly. A machine failure would cause chaos behind the counter. Our HOBART machine has never let us down.”

Oliver and Katie Briggs
Bistro,
Vancouver, Canada

Sergey Dvornikov
Hotel,
Moskwa, Russia

Annette Kreiner
Beergarden,
Munich, Germany

Luke Oblikas
Restaurant,
Tallinn, Estonia



1 | ECONOMY

1.9 L RINSE

The main purpose of the fresh water rinse is the removal of detergent from the cleaned ware. The way in which the fresh water is distributed determines how much water is used in this process. The HOBART rinse system features specially designed precision nozzles and optimises the water distribution over the glasses, so that only 1.9 litres of water are used per cycle. The consumption of water, detergent and energy can be reduced by up to 35%.

RINSE SYSTEM ACCURINSE

Ensuring constant temperature and volume of clean rinse water is vital to achieve not only clean, but hygienically clean table-ware. The HOBART system “pulls” rather than “pushes” the rinse water through the booster and is totally independent of flow pressure on site thus preventing any mixing with incoming cold water. Depending on the programme the ACCURINSE system delivers precisely 1.9 l of fresh water at over 65°C every cycle to ensure perfect hygiene standards. In addition the precision of ACCURINSE saves up to 35% water, energy and detergent and rinse aid.

EFFICIENT – THRIFTY



Precision nozzles distribute the wash water in the wash chamber in the most economical.

2 | WASH RESULT

**PATENT
PENDING**

FINE FILTER SYSTEM GENIUS-X²

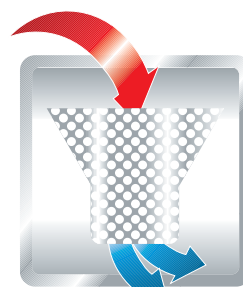
Permanently clean wash water is the key requirement for an optimal wash result with less detergent and water consumption. In the next generation GENIUS-X² fine filter system, the wash water is continuously led through a system of filters. During the wash cycle the majority of soil particles are removed during the first phase of draining. Any remaining soil particles are retained in the filter and are then removed during the second stage of draining, just before the final rinse. The tank water is then replenished with 1,9 liters of fresh hot rinse water. This optimal regeneration ensures a perfect wash result.

The GENIUS-X² cleans itself during the draining phase. The fine filter system GENIUS-X² reduces detergent consumption by up to 35%.

HEAT ELEMENT ECOTHERM

A consistently high wash temperature extracts maximum cleaning performance from the wash water. HOBART research has established that higher washing temperatures optimize detergent performance. ECOTHERM ensures a constant 55°C even during continuous use. The extra heat absorbed by the washed ware also improves the drying result.

CLEAN – HYGENIC



The fine filter system GENIUS-X², with integrated pre-washing process, filters the wash water continuously and then pumps out the soil particles.

HOBART



2 | WASH RESULT

**PATENT
PENDING**

WIDE ANGLE NOZZLE FAN

Wash efficiency depends largely on the distribution of the wash water and on avoiding any masked areas. Spraying angles and the precision of the wash jets are vital factors in achieving a powerful, searching wash action and the HOBART designed wide angle nozzles FAN provide a substantially broader and more precise spray pattern. Compared with conventional and fixed wash arm systems the wash water is distributed more efficiently, masking is avoided and the wash result, especially in the corners, is considerably improved.

STRAINER CONTROL SYSTEM PROOF

Clean wash water and accurate detergent dosage are key factors in achieving a clean and hygienic wash result. An efficient filter system is useless if it is not in the right position. The strainer control system PROOF has an interlock which is continuously monitored by the SMARTRONIC control. The wash cycle can only be activated if the filter is correctly positioned.

OVERALL – CONSTANT



The wide angle nozzles FAN spray the water with greater accuracy in a much wider range...



... producing a better spray pattern and thus improve the wash result.

WASH SYSTEM ROTOR

HOBART glasswashers are equipped with a top wash arm. The double top and bottom wash action allows washing small tableware in addition to glasses. The performance depends heavily on a reliable wash system. Fixed wash arms and jets will often leave shadow areas, especially with some clogged jets. The ROTOR wash system is continuously efficient. Separate, rotating wash and rinse arms at the top and bottom are driven by the water pressure. Every corner of the wash chamber is efficiently covered by the dynamic water action, during the wash as well as during the rinse.

COMPLETE – UNIFORM



The wash system ROTOR increases the safety reserves and guarantees a constant wash result.



The wash and rinse arms are identical in design. A change during cleaning does not effect the rinse result.



2 | WASH RESULT

RINSING HOT ↔ COLD

Dishes and wine glasses should come out of the dishwasher dry, beer and softdrink glasses preferably cool. With the HOT ↔ COLD rinse, both is possible. The rinse can be switched from HOT to COLD anytime, without waiting time. The cold rinse cools the glasses after the hot wash cycle. The glass is ready for use immediately and beer will keep a steady, finely porous foam. The hot rinse improves the self drying process. The HOT ↔ COLD glasswasher improves working flexibility, while reducing operating costs.

RINSING AQUA-PLUS

The rinsing of higher glasses or glasses of critical shape makes high demands on the final rinsing. The separately selectable programme AQUA-PLUS rinses the glasses with an increased quantity of fresh water.

FAST – FLEXIBLE



Hot or cold water rinse can be selected as required.



Cold glass (left)
beer delight for the palate and the eye

Hot glass (right)
the foam collapses quickly after pouring

3 | HANDLING

**PATENT
PENDING**

SINGLE BUTTON SMARTRONIC

In any busy establishment the dishwasher must be easy to operate and customers tell us that having simple, understandable controls is of big importance. The SMARTRONIC control with single button operation indicates the machine status in clear, self explanatory colours. Only the essential functions such as filling and heating, washing and rinsing, ready for use, and draining are indicated. Incorrect operation and misuse are eliminated.

SMOOTH COUNTERBALANCED DOOR

Hydraulic shock absorbers give the spring loaded door a gentle opening and a silent closing. The flat rack slides on the inner door make loading and unloading easy from all sides.

SOFT START PROTECT

In bars and bistros glass- or dishwashers are often installed under the counter, close to guests. The PROTECT soft start considerably reduces the noise emission. In addition it avoids shaking up glasses and ware, and protects components in the long run.

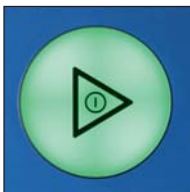
INTEGRATED CONTAINERS

Large optional liquid containers for rinse aid (0.5 l) and detergent (1.4 l) reduce the need for frequent refilling so that products need not be stored next to the machine. The large container opening makes it easy to add products without spilling, even when things are hectic behind the counter. To ensure optimum wash results at all times, the machine is equipped with fill level indicators on the control panel for rinse aid and detergent.

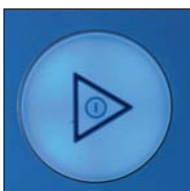
EASY – INTELLIGENT



The simple SMARTTRONIC control combines the most important functions into just one STARTER button.



The STARTER button shows the remaining cycle-time and the operation status in self-explanatory colours:
ready for operation



washing

SOFT – NOISELESS



Large containers for detergent and rinse aid reduce the refill frequency.



The deep drawn rack guide at the door and in the interior enables an easy sliding of the glass rack.

HOBART



4 | RELIABILITY

QUALITY MANAGEMENT GARANT

A commercial dishwasher is used up to 85.000 times during its lifetime. To HOBART reliability is no coincidence: therefore, our machines are repeatedly exposed to daily requirements, in order to guarantee performance after progressive use. For example the door is opened and shut more than 100.000 times.

DRAIN PUMP

The drain pump, a standard fitting, drains the waste water into any effluent with a maximum height of 1m.

MULTI-PHASING (230/400 V)

Multi-Phasing allows the operation of the same machine either on 230 V or 400 V. The change is done by simple plugging on site when installing the machine.

GUARANTEED – RELIABLE



The quality manager GARANT: For example, the door is opened and closed again 100.000 times in a stress test.

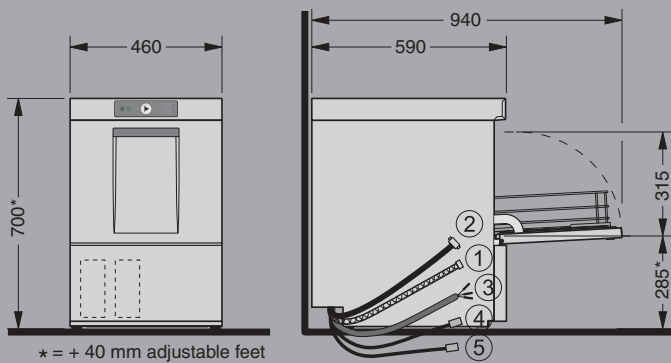
FLEXIBLE – EASY



The sturdy design of the machine guarantees a long service life.



Available for 230 V or 400 V power supply.



5 | TECHNICAL DATA

MODEL	GC
Cycle times at hot water connection in sec. [1]	75 / 120 / 120 (AQUA-PLUS) / 120 (Cold water rinse)
Capacity [2]	
Racks /h	48
Glasses / h	768
Tank volume litres	8
Fresh water consumption per cycle litres	1,9* / 3,8 (Cold water rinse)
Total loading kW	
With 400 voltage	4,8
With 203 voltage	3,4
Dimensions in mm	
Width	460
Depth	590
Height	700
Loading height	315
Rack size	400 x 400
Features	
Rinse aid dispenser	incl.
Detergent dispenser	incl.
Rinse and drain pump	incl.
Integrated rinse aid container	optional
Integrated detergent container	optional
Rack equipment	Glass rack with 4 sloped rows

* at optimum conditions. Factory setting: 2.3 l

WATER TREATMENT

For spot-free sparkling glasses, we recommend installing a water treatment system.

PARTIAL DESALINATION CARTRIDGES

for sparkling wash results when the raw water contains minerals
Series TE output of 7,000 to 16,000 litres at 10° d (carbonate hardness)

FULL DESALINATION CARTRIDGES

for sparkling wash results when the raw water has a high mineral content.
Series VE output of 3.100 litres at 10° d (total hardness)



[1] The machine is equipped with an automatic cycle-time control which ensures hygienic rinse temperatures even on a cold-water supply or with reduced heating performance.
[2] Theoretical performance

WAREWASHING
GLASSWASHER

PROFI GC

EFFICIENT – RELIABLE – INNOVATIVE

BRILLIANT PERFORMANCE – EVEN FOR COLD GLASSES

Mainly for the counter service in bars, bistros, pubs, restaurants and beergardens, it is essential to have glasses not only clean but at the proper temperature. For this purpose HOBART offers a cold rinse. After the wash cycle, glasses are cooled with a cold fresh water rinse, and ready to use straight away.

Optimal temperature for optimal drinking pleasure. Brilliant performance. Hygienic result.



WAREWASHING

COOKING

FOOD PREPARATION

WASTE TREATMENT

SERVICE

HOBART GMBH

Robert-Bosch-Straße 17

77656 Offenburg/GERMANY

Phone +49(0)781.600-28 20

Fax +49(0)781.600-28 19

email: info-export@hobart.de

www.hobart-export.com

EFFICIENT – RELIABLE – INNOVATIVE

Member of the *ITW* Food Equipment Group Europe

