

3M™ 商用濾水系統
3M™ Commercial Water Filtration System



Recipe
Quality
Water™

查詢電話 Enquiry : 2806 6111
www.3M.com/hk/waterfilter

3M



Maximize Water Safety Around the World

於世界各地提升食水安全

百年來以創新聞名的世界500強企業3M，擁有強大的液體過濾核心技術平臺和超過90年的液體過濾行業經驗，是世界上唯一業務橫跨工業、醫療、食品飲料和飲用水行業的液體過濾公司。

在水過濾領域，3M覆蓋了餐飲用水處理、電器用水處理和家用淨水三大業務。眾多國際知名連鎖餐廳、可樂汽水公司、瓶裝水公司以及雙開門冰箱品牌，均採用了3M飲用水過濾系統。

3M, a Fortune 500 company with over 100 years of history, is a global leader in liquid filtration with business across various segments including industrial, pharmaceutical, food processing and beverage industries. 3M is committed to providing innovative, cost-effective products that help protect people, equipment and our environment.



3M IMPACT

革命性過濾技術

IMPACT為3M商用濾水系統採用的突破性技術以提升濾芯的壽命及減低操作成本。採用IMPACT過濾技術之過濾媒體有效去除達99.99%之水溶性細菌。IMPACT包括了Integrated (綜合)、Membrane (獨特濾網)、Pre-Activated Carbon (預先激活活性碳)及Technology(技術)。每個詞語均突顯了3M商用濾水系統的技術優勢。上圖為IMPACT技術的註冊標誌。

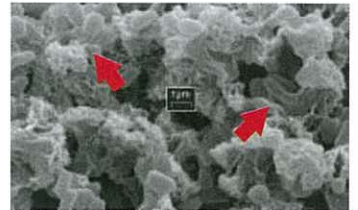
The "IMPACT" stands for Integrated Membrane Pre-Activated Carbon Technology which combines a patented pharmaceutical-grade microporous membrane and a pre-activated carbon block in a single cartridge to dramatically reduce pressure drop and practically eliminate the need for pre-filtration. The integrated membrane provides superior sediment holding capabilities while reducing Cryptosporidium and Giardia cysts and over 99.99 percent of all water-borne bacteria.

綜合 Integrated

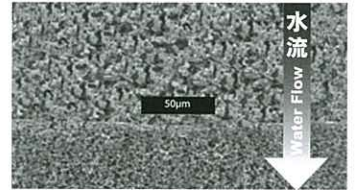
- 一支濾芯已超過傳統三四支濾芯之功效
One Cartridge accomplishes the job of a traditional 3 or 4 cartridge system
- 堅硬的聚丙烯(Polypropylene)外殼設計能抵抗375磅水壓
Polypropylene housing
- SQC快速濾芯更換設計
Fast and easy cartridge change-outs with SQC encapsulated cartridge design

預先激活活性碳 Pre-Activated Carbon

- 預先激活活性碳磚專利設計不需預先過水
No activation steps are required
- 活性碳磚由微細的活性碳粒結合而成
Polycarbon block releases virtually no carbon fines
- 高除氯效能及有效抵擋水槌
More than four times the chlorine taste and odor reduction capacities



精密尼龍濾膜減少大腸桿菌達99.99%
Over 99.99% of E.coli bacteria are reduced by the nylon pharmaceutical-grade membrane



漸進式濾網設計，由粗至幼緊緊鎖住水中雜質
Two-zone membrane providing superior cartridge sediment-holding capacity

獨特濾網 Membrane

- 雙層醫藥級精密尼龍濾膜
Patented pharmaceutical-grade microporous membrane
- 有效濾除細菌及隱孢子蟲
Reduce Cryptosporidium and Giardia cysts
- 褶疊式設計，提高過濾總面積達4倍
Enhance pleated membrane has four times the surface area of competitor
- 漸進式濾網設計，以密度外粗內細的濾網逐步過濾水中污物
Progressive particle separation to enhance cartridge sediment-holding capacity

細菌	可減低之比率
E.Coli	>99.9989
P.fluorescens	>99.9999

專業認證 安全保障 Third Party Certification

3M商用濾水系統均採用美國FDA(食物及藥物管理局)CFR-21認可物料製造並榮獲美國國家衛生會認證，符合美國NSF/ANSI標準42及標準53淨化效果保證的產品，能有效地去除水中異味、氯、粒子、細菌、孢子蟲等，而能保留有益的礦物質，所過濾出來的水特別清甜。

3M Commercial Water Filtration Products are manufactured by using FDA CFR-21 and/or NSF Standard 42 compliant materials and are certified to NSF Standard 53 for cyst reduction and reduction of 99.99 percent of water-borne bacteria* when using our nylon-membrane cartridge filters.



FDA認證 — (美國) 食品及藥物管理局 (Food and Drug Administration)

FDA是國際醫療審核權威機構，專門從事食品與藥品管理，通過FDA認證代表該材料確保對人體安全而有效。

The Food and Drug Administration (FDA) is an agency within the U.S. Department of Health and Human Services who is responsible for protecting the public health by regulating human and veterinary drugs, vaccines and other biological products, medical devices, our nation's food supply, cosmetics, dietary supplements, and products that give off radiation advancing the public health by helping to speed product innovations helping the public get the accurate, science-based information they need to use medicines and foods to improve their health.



NSF認證—美國國家衛生基金會(National Sanitation Foundation)

NSF標誌的背後是一個獨立的非牟利組織—NSF International，60多年來，NSF一直致力於讓人們生活得更健康、更安全。目前，NSF在公共健康和安全的標準發展、產品認證以及教育風險處理規則等方面均處於世界領先地位。

National Sanitation Foundation is an independent, not-for-profit organization that helps protect consumers by certifying products and writing standards for food, water and consumer goods. Their ongoing commitment is to encourage everyone to live safer. The standard of NSF is not only being adopted in American National Standards Institute (ANSI) but also being recognized worldwide. Over 360 pieces of 3M water filtration products are being certified by NSF and are recognized to be reliable and be safe for everyone.

汽水/冰茶機過濾系統

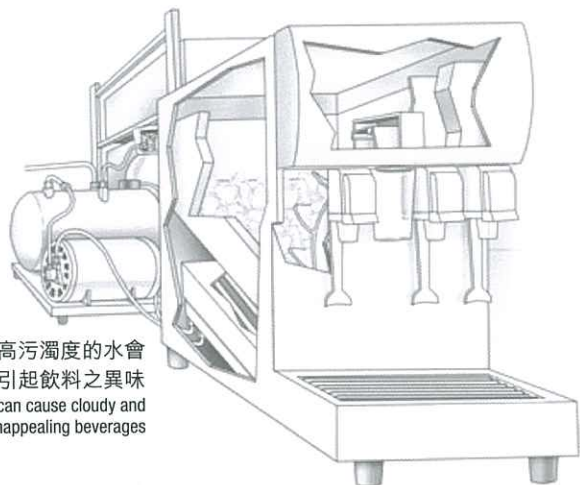
BEVERAGE SYSTEM / ICED TEA

汽水機是便利店和餐廳快速服務中最大生意來源。
汽水機裡有83%的水。

3M商用過濾系統減少顆粒雜質，去除氯的氣味，製造絕佳口感的飲料，提高收益，延長設備使用壽命。

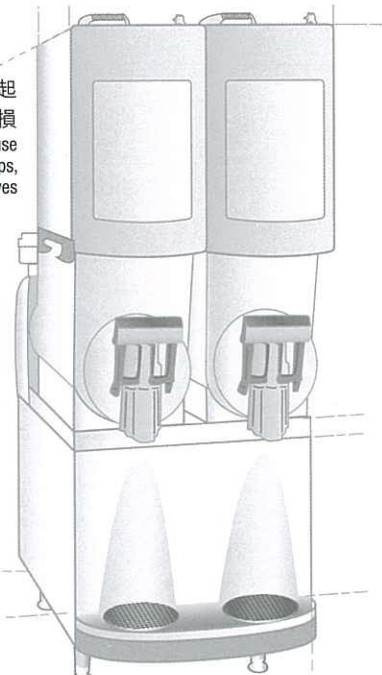
From convenience store and restaurants to quick-service operations, the beverage machine is often the most profitable part of the business.

3M water filtration system can reduce sediment and chlorine to enhance the taste of beverage, improve business profitability and extend the life time of beverage facility.



高污濁度的水會引起飲料之異味
High turbidity can cause cloudy and unappealing beverages

沉澱物、沙粒雜質會引起水泵密封圈的閥門磨損
Excess sediment can cause abrasion and short life on pumps, seals, o-rings and valves



氯氣會令飲料口感變差
Excess chlorine residual can cause unpleasant-tasting beverages



BEV130內置閥門系列 BEV130 Series Valve-in-Head Filter System

適用於單頭碳酸汽水機 For single carbonator dispensers

產品型號 Model No	產品編號 Part No	精密度(微米) Micron	流量 Flow Rate	處理量 Capacity	替換濾芯 Replacement Cartridge	去除 Reduction Claims	重量 Weight	接頭 Connection
BEV130	56161-01	0.5	1.67 加侖/分鐘gpm (6.3 升/分鐘lpm)	14,000 加侖gals (52,996 升L)	HF30 56151-05	沉澱物、氯、異味、 隱孢子蟲 Sediment, Chlorine, Odor, Cyst	1.75 公斤kg	3/8" FNPT



BEV140內置閥門系列 BEV140 Series Valve-in-Head Filter System

適用於單頭高流量碳酸汽水機 For single high flow carbonator dispensers

產品型號 Model No	產品編號 Part No	精密度(微米) Micron	流量 Flow Rate	處理量 Capacity	替換濾芯 Replacement Cartridge	去除 Reduction Claims	重量 Weight	接頭 Connection
BEV140	56162-01	0.2	2.1 加侖/分鐘gpm (7.9 升/分鐘lpm)	25,000 加侖gals (94,635 升L)	HF40 56133-03	細菌、沉澱物、氯、 異味、隱孢子蟲 Bacteria, Sediment, Chlorine, Odor, Cyst.	2.0 公斤kg	3/8" FNPT



BEV160非內置閥門系列 BEV160 Series Filter System with Shut-off Valve

適用於雙頭碳酸汽水機 For dual carbonator dispensers

產品型號 Model No	產品編號 Part No	精密度(微米) Micron	流量 Flow Rate	處理量 Capacity	替換濾芯 Replacement Cartridge	去除 Reduction Claims	重量 Weight	接頭 Connection
BEV160	56163-01	0.2	3.34 加侖/分鐘gpm (12.6 升/分鐘lpm)	35,000 加侖gals (132,489 升L)	HF60 56134-03	細菌、沉澱物、氯、 異味、隱孢子蟲 Bacteria, Sediment, Chlorine, Odor, Cyst.	1.9 公斤kg	1/2" FNPT



BEV190非內置閥門系列 BEV190 Series Filter System with Shut-off Valve

適用於流量高達5加侖/分鐘(18.9升/分鐘)的汽水機 Serves carbonator and cold beverage dispensers up to 5 gpm (18.9lpm) demand flow rate

產品型號 Model No	產品編號 Part No	精密度(微米) Micron	流量 Flow Rate	處理量 Capacity	替換濾芯 Replacement Cartridge	去除 Reduction Claims	重量 Weight	接頭 Connection
BEV190	56164-01	0.2	5.0 加侖/分鐘gpm (18.9 升/分鐘lpm)	54,000 加侖gals (204,412 升L)	HF90 56135-03	細菌、沉澱物、氯、 異味、隱孢子蟲 Bacteria, Sediment, Chlorine, Odor, Cyst.	2.6 公斤kg	1/2" FNPT



製冰機過濾系統

ICE MACHINE

冰由100%水組成。

約70%的製冰機損壞由水質問題引起。

3M商用產品系列具有去除餘氯及雜質功能，減少檢修及停產時間，提高綜合效益。

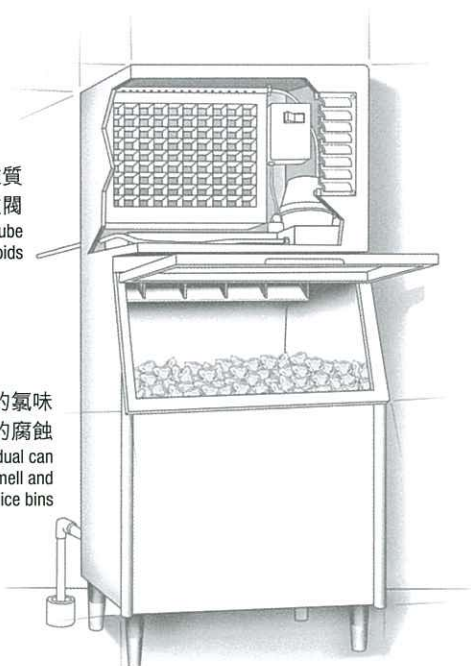
Ice is composed of 100% water.

Many ice machine equipment failures are water-related.

3M Water Filtration Products reduce chlorine and sediment. Reduced service calls and reduced downtime increase bottom line profitability.

沙泥、鐵銹雜質
阻塞管道和電磁閥
Sediment, dust blocks the tube and solenoids

餘氯會引起難聞的氯味
和冰柜的腐蝕
Excess chlorine residual can cause chlorine smell and corrosion in ice bins



BEV120內置閥門系列 BEV120 Series Valve-in-Head Filter System

適用於製冰機之容量100磅 For commercial cubers up to 100 lbs.

產品型號 Model No	產品編號 Part No	精密度(微米) Micron	流量 Flow Rate	處理量 Capacity	替換濾芯 Replacement Cartridge	去除 Reduction Claims	重量 Weight	接頭 Connection
BEV120	-	0.5	1.5 加侖/分鐘gpm (5.7 升/分鐘lpm)	9,000 加侖gals (34,069 升L)	HF20 56151-01	沉澱物、氯、異味、 隱孢子蟲 Sediment, Chlorine, Odor, Cyst	1.44 公斤kg	3/8" FNPT



BEV130內置閥門系列 BEV130 Series Valve-in-Head Filter System

適用於製冰機之容量200磅 For commercial cubers up to 200 lbs.

產品型號 Model No	產品編號 Part No	精密度(微米) Micron	流量 Flow Rate	處理量 Capacity	替換濾芯 Replacement Cartridge	去除 Reduction Claims	重量 Weight	接頭 Connection
BEV130	56161-01	0.5	1.67 加侖/分鐘gpm (6.3 升/分鐘lpm)	14,000 加侖gals (52,996 升L)	HF30 56151-05	沉澱物、氯、異味、 隱孢子蟲 Sediment, Chlorine, Odor, Cyst	1.75 公斤kg	3/8" FNPT



BEV140內置閥門系列 BEV140 Series Valve-in-Head Filter System

適用於製冰機之容量400磅 For commercial cubers up to 400 lbs.

產品型號 Model No	產品編號 Part No	精密度(微米) Micron	流量 Flow Rate	處理量 Capacity	替換濾芯 Replacement Cartridge	去除 Reduction Claims	重量 Weight	接頭 Connection
BEV140	56162-01	0.2	2.1 加侖/分鐘gpm (7.9 升/分鐘lpm)	25,000 加侖gals (94,635 升L)	HF40 56133-03	細菌、沉澱物、氯、 異味、隱孢子蟲 Bacteria, Sediment, Chlorine, Odor, Cyst.	2.0 公斤kg	3/8" FNPT



BEV160非內置閥門系列 BEV160 Series Filter System with Shut-off Valve

適用於製冰機之容量800磅 For commercial cubers up to 800 lbs.

產品型號 Model No	產品編號 Part No	精密度(微米) Micron	流量 Flow Rate	處理量 Capacity	替換濾芯 Replacement Cartridge	去除 Reduction Claims	重量 Weight	接頭 Connection
BEV160	56163-01	0.2	3.34 加侖/分鐘gpm (12.6 升/分鐘lpm)	35,000 加侖gals (132,489 升L)	HF60 56134-03	細菌、沉澱物、氯、 異味、隱孢子蟲 Bacteria, Sediment, Chlorine, Odor, Cyst.	1.9 公斤kg	1/2" FNPT



BEV190非內置閥門系列 BEV190 Series Filter System with Shut-off Valve

適用於製冰機之容量1600磅 For commercial cubers up to 1600 lbs.

產品型號 Model No	產品編號 Part No	精密度(微米) Micron	流量 Flow Rate	處理量 Capacity	替換濾芯 Replacement Cartridge	去除 Reduction Claims	重量 Weight	接頭 Connection
BEV190	56164-01	0.2	5.0 加侖/分鐘gpm (18.9 升/分鐘lpm)	54,000 加侖gals (204,412 升L)	HF90 56135-03	細菌、沉澱物、氯、 異味、隱孢子蟲 Bacteria, Sediment, Chlorine, Odor, Cyst.	2.6 公斤kg	1/2" FNPT

*此參考數據，根據每半年更換濾芯而定 * Data for reference and based on half-year cartridge replacement

洗碗碟機過濾系統

WAREWASHING

因為潔淨的餐具與潔淨的食物同樣重要，3M濾水系統令碗碟格外潔淨衛生。

蒸汽由100%水組成。

3M商用抗水垢系列可減少檢修及停產時間，提高綜合效益。

Tableware cleanness is as important as food, 3M water filtration system can improve the warewashing cleanness and hygienic.

Steam is composed of 100% water.

3M commercial series for inhibit scales build-up in equipments can reduce maintenance and suspend production time, and hence maximum productivity.

積聚於噴咀之水垢會減低機器的生產力
Scale build-up on nozzles can reduce operating efficiency

人手粹擦，成本高且不潔淨
Handwiping is labor intensive and unsanitary

碗碟上之水印，影響食客的信心
Spots on dishware are unappealing to customers



SF18-S抗水垢系列

SF18-S有效抑制水垢於涉及高溫之機器部件形成，如內外金屬表面、感應器、噴咀及發熱線等。SF18-S可自動因應水流量而釋放適當份量之抗水垢劑。無色、無味、無臭的抗水垢離子會包圍水中不同礦物質之離子，防止水垢因熱力而結合。此濾芯可承受高達200°F(93.3°C)之熱力。SQC簡易濾芯更換設計，自行更換濾芯非難事。

3M Water Filtration Product Model SF18-S inhibits scale build-up and corrosion in high-temperature foodservice equipment. A proportioning forced-feed-orifice delivers a carefully metered amount of a unique high-temperature scale inhibitor, sequestering the hardness minerals that form on boiler walls, sensors, brewer spray heads and heating coils. The media does not break down at temperature at or above 200°F(93.3°C). The Sanitary Quick Change (SQC) replacement HF18-S cartridge makes change-outs fast and easy.



產品型號 Model No	產品編號 Part No	流量 Flow Rate	處理量 Capacity	替換濾芯 Replacement Cartridge	去除 Reduction Claims	重量 Weight	接頭 Connection
SF18-S	56077-03	6 加侖/分鐘gpm (22 升/分鐘lpm)	265,000 公升L	HF8-S 55821-06	水垢 Scale	1 公斤kg	3/4" FNPT

咖啡機、熱飲過濾系統

HOT DRINKS/COFFEE MACHINE

適用於咖啡室、飲料店、茶室。

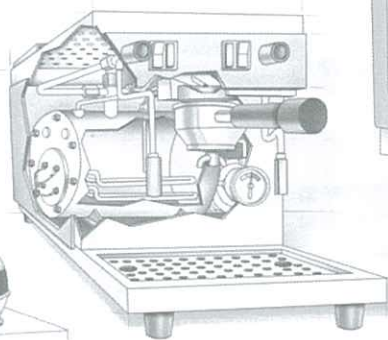
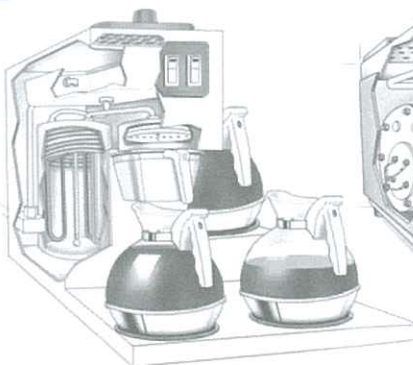
一杯咖啡裡有98%的水。

3M商用過濾系統為商用咖啡機和熱飲料機提供純正水減少氯、水垢所引起的維修費用。

Consumption of specialty coffees, coffee-based beverages and specialty teas is increasing yearly.

3M water filtration system can enhance the purity of water, reduce chlorine and minimize repair and maintenance from scale build up in machine.

加熱器上的水垢會明顯增加設備的維修及營運成本
Calcium and magnesium can build up on heating coils, reducing efficiency and increasing service calls



沉澱物、沙粒雜質會阻塞噴頭和咖啡釀製桶
Designed to remove chlorine and reduce hard scale build-up on heating coils without affecting the equipment.

氯氣會令飲料口感變差
Excess chlorine and organics can cause bitter-tasting beverages

BEV120內置閥門系列 + SF18-S抗水垢系列 BEV120 Series Valve-in-Head Filter System + SF18-S Scale Inhibitor

18,000壺(1/2-加侖/2-升) 18000 pots (1/2gal / 2 Liter)

產品型號 Model No	產品編號 Part No	精密度(微米) Micron	流量 Flow Rate	處理量 Capacity	替換濾芯 Replacement Cartridge	去除 Reduction Claims	重量 Weight	接頭 Connection
BEV120	-	0.5	1.5 加侖/分鐘gpm (5.7 升/分鐘lpm)	9,000 加侖gals (34,069 升L)	HF20 56151-01	沉澱物、氯、異味、 隱孢子蟲、水垢 Sediment, Chlorine, Odor, Cyst, Scale	1.5 公斤kg	3/8" FNPT

BEV130內置閥門系列 + SF18-S抗水垢系列 BEV130 Series Valve-in-Head Filter System + SF18-S Scale Inhibitor

28,000壺(1/2-加侖/2-升) 28000 pots (1/2gal / 2 Liter)

產品型號 Model No	產品編號 Part No	精密度(微米) Micron	流量 Flow Rate	處理量 Capacity	替換濾芯 Replacement Cartridge	去除 Reduction Claims	重量 Weight	接頭 Connection
BEV130	56161-01	0.5	1.67 加侖/分鐘gpm (6.3 升/分鐘lpm)	14,000 加侖gals (52,995 升L)	HF30 56151-05	沉澱物、氯、異味、 隱孢子蟲、水垢 Sediment, Chlorine, Odor, Cyst, Scale	1.8 公斤kg	3/8" FNPT



蒸烤爐過濾系統

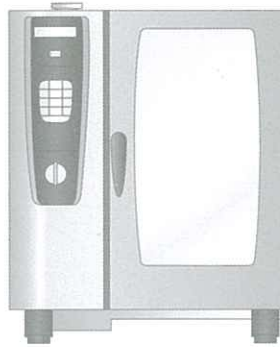
Combi Steamer

蒸汽由100%水組成。

3M商用抗水垢系列可減少檢修及停產時間，提高綜合效益。

Steam is composed of 100% water.

3M Water Filtration Products can reduce scale build-up to lower the energy consumptions and operational expenses.



AP1610 掛牆式不銹鋼濾水器 + SF18-S抗水垢系列 AP1610 Stainless Steel Filter Housing with Filter + SF18-S Scale Inhibitor

產品型號 Model No	產品編號 Part No	流量 Flow Rate	處理量 Capacity	替換濾芯 Replacement Cartridge	去除 Reduction Claims	重量 Weight	接頭 Connection
AP1610	5530302	6 加侖/分鐘gpm (22 升/分鐘lpm)	-	AP110	鐵銹、砂石及沉積物 Rust, Dust, Sediment	2.7 公斤kg	3/4" BSP
SF18-S	56077-03	6 加侖/分鐘gpm (22 升/分鐘lpm)	265,000 公升L	HF8-S 55821-06	水垢 Scale	1 公斤kg	3/4" NPT

組合式餐飲設備

過濾系統

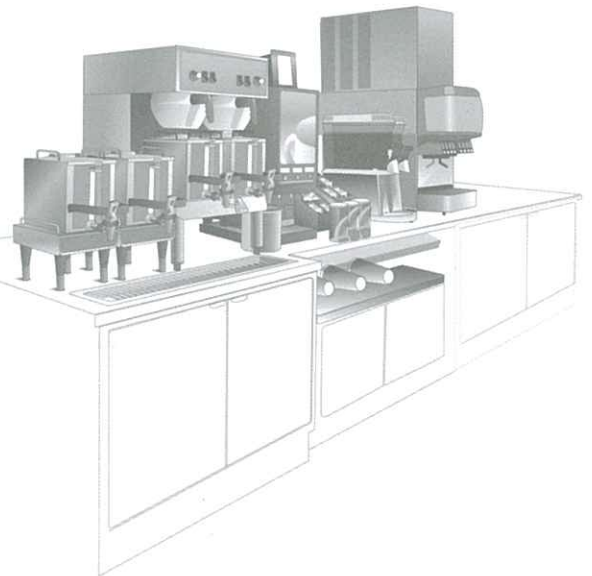
COMBINATION SYSTEM

3M中央水處理系統為多個餐飲設備提供優質水源，容易安裝，降低綜合過濾成本。

A central system providing filtered water to several pieces of equipment can be more economical and easier to install and service.

Dual Port和Dual Flow可根據不同的設備要求來設計不同流量和處理量的過濾系統。

Dual Port and Dual Flow systems are engineered to provide high flow rates, high capacities and the benefits of individual equipment filtration in a single compact package



BEV190非內置閥門系列 + SF18-S抗水垢系列 BEV 190 Series Filter System with Shut-off Valve

適用於多種組合式餐飲設備，包括：製冰機、咖啡機、熱飲機等 For combination applications that include ice, coffee, tea and cold beverage, including FCB and post mix.

產品型號 Model No	產品編號 Part No	精密度(微米) Micron	流量 Flow Rate	處理量 Capacity	替換濾芯 Replacement Cartridge	去除 Reduction Claims	重量 Weight	接頭 Connection
BEV190	56164-01	0.2	5.0 加侖/分鐘gpm (18.9 升/分鐘lpm)	54,000 加侖gals (204,412 升L)	HF90 35135-02 HF8-S 55821-06	細菌、沉澱物、氯、 異味、隱孢子蟲、水垢 Bacteria, Sediment, Chlorine, Odor, Cyst, Scale	2.6 公斤kg	入:1/2"FNPT 出:3/8"FNPT

BEV390組合式系統 BEV 390 Series Filter System with Shut-off Valve

適用於多種組合式高用量餐飲設備，包括：製冰機、咖啡機、熱飲機等 For combination applications that include ice, coffee, tea and cold beverage, including FCB and post mix.

產品型號 Model No	產品編號 Part No	精密度(微米) Micron	流量 Flow Rate	處理量 Capacity	替換濾芯 Replacement Cartridge	去除 Reduction Claims	重量 Weight	接頭 Connection
BEV390	56244-01	0.2	15.0 加侖/分鐘gpm (56.7 升/分鐘lpm)	162,000 加侖gals (613,236 升L)	HF90 3支 56135-03 x 3	細菌、沉澱物、氯、 異味、隱孢子蟲 Bacteria, Sediment, Chlorine, Odor, Cyst	18 公斤kg	3/4" FNPT

BEV 產品系列規格 BEV Product Specification

3M商用濾水系統之濾頭
Filter Head of 3M BEV System



水壓表反映濾芯使用情況
Water Pressure Gauge

VH3-BSP 內置閥門濾頭 Valve-in-Head

內置止流閥，更換濾芯無須關掉水源
Remove filter without shutting off the water supply
(適合BEV120, 130及140)
(For BEV120, 130 & 140)

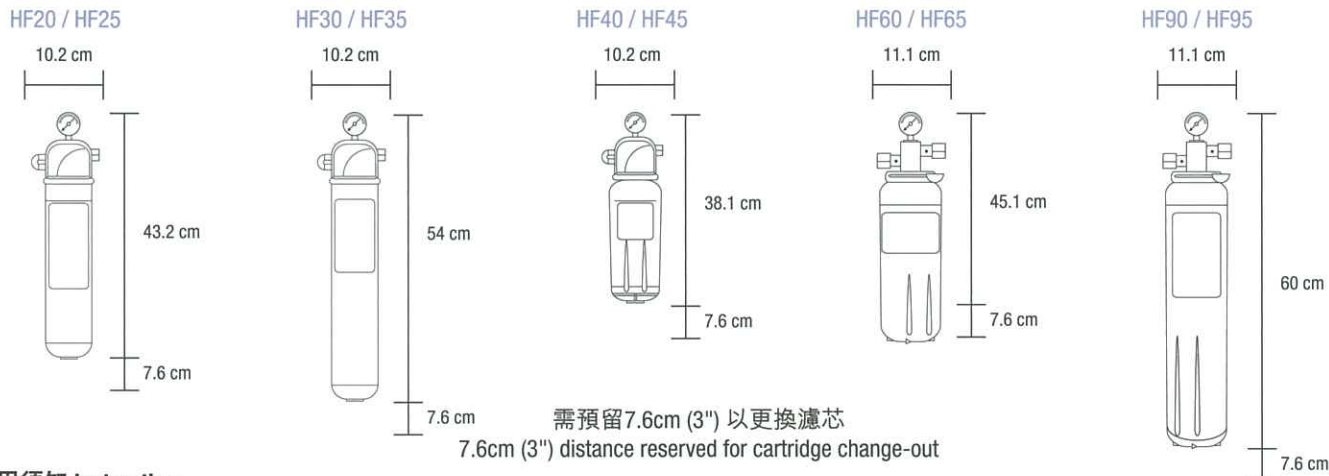
NH3-BSP 非內置閥門濾頭 Inlet Shut-off Valve Head

高流量達每分鐘18.9公升
Can support water flow of 18.9L/min
(適合BEV160及190)
(For BEV160 & 190)

其他精密度濾芯選擇 More Cartridge with Different Micron Rating

產品型號 Model No	產品編號 Part No	精密度(微米) Micron	流量 Flow Rate	處理量 Capacity	替換濾芯 Replacement Cartridge	去除 Reduction Claims	接頭 Connection
BEV125	-	1.0	1.5加侖/分鐘gpm (5.7升/分鐘lpm)	10,000加侖gals (37,854升L)	HF25	氯氣、異味、沉積物 Chlorine, Odor, Sediment	3/8" FNPT
BEV135	56161-02	1.0	1.67加侖/分鐘gpm (6.3升/分鐘lpm)	12,600加侖gals (47,696升L)	HF35	氯氣、異味、沉積物 Chlorine, Odor, Sediment	3/8" FNPT
BEV145	56162-02	3.0	2.1加侖/分鐘gpm (7.9升/分鐘lpm)	25,000加侖gals (94,635升L)	HF45	氯氣、異味、沉積物 Chlorine, Odor, Sediment	3/8" FNPT
BEV165	56163-02	3.0	3.34加侖/分鐘gpm (12.6升/分鐘lpm)	35,000加侖gals (132,489升L)	HF65	氯氣、異味、沉積物 Chlorine, Odor, Sediment	1/2" FNPT
BEV195	56164-02	3.0	5.0加侖/分鐘gpm (18.9升/分鐘lpm)	54,000加侖gals (204,412升L)	HF95	氯氣、異味、沉積物 Chlorine, Odor, Sediment	1/2" FNPT

BEV 系統尺寸 BEV System Dimension



使用須知 Instruction:

- 系統最高承受水溫及水壓為38°C及125psi
System maximum operating water temperature and pressure is 38°C and 125psi respectively.
- 為使濾芯達最理想之過濾效能，建議至少每半年更換濾芯一次，濾芯壽命會因應水量及水質而異
To ensure cartridge is function in good condition, suggest to change it every half of the year. Cartridge life time may vary by water consumption and water quality.
- 只適用於商用冷水處理
For commercial use only with cold water.
- 如水源懷疑受污染或未經任何消毒處理，請勿使用本產品
Do not use with water that is microbiologically unsafe or unknown quality without adequate disinfection.
- 本公司並不承擔因保養失當而造成之產品故障
3M will not be liable for system failure due to improper maintenance and installation.



Purification Division
3M Hong Kong Ltd
5th Floor, Victoria Centre
15 Watson Road, Hong Kong
Tel: (852) 2806 6111
www.3M.com/hk/waterfilter



Visit www.nsf.org for the claims associated with products that are NSF listed.