



Decorative Lamp & Display Light Solutions

*Cafeterias • Convenience Stores
Supermarkets & Delis • Restaurants & Cafés
Clubs & Bars • Concessions*



DL-1100-SR (DL-1200-SR, -1300-SR in background) in Gloss finish Clear Brushed Metal *pg. 4*



DL-400-SN in Gloss finish Glossy Gray *pg. 4*



DL-400-STR in Gloss finish Glossy Gray *pg. 4*



DL-500-SR in Plated finish Bright Brass *pg. 4*



DL-700-RL in Gloss finish Glossy Gray (sneeze guards shown not available) *pg. 4*



DL-725-STR in Plated finish Bright Nickel *pg. 4*



DL-750-STR in Plated finish Bright Nickel *pg. 4*



DL-800-STR in Designer Warm Red *pg. 4*



HL5-60 in standard Clear Anodized finish (sneeze guards shown not available) *pg. 8*



Decorative Lamp & Display Light Solutions



ORDERING INSTRUCTIONS

Luminaire Lamps are for lighting only. LUMINAIRE option must be specified when Lamps are utilized for decorative purposes only (no heating). This option is not field convertible. Maximum 200 watts.

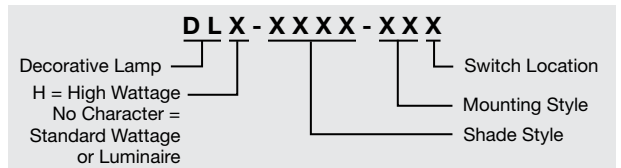
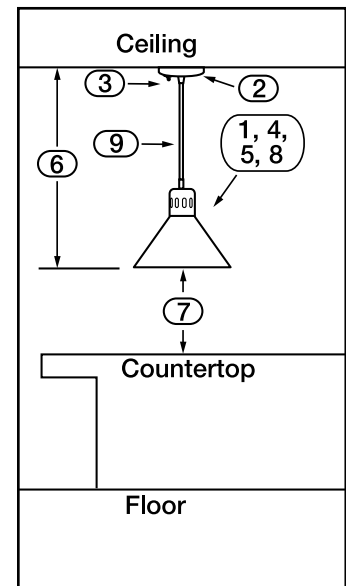
CLEARANCE REQUIREMENTS

- NOTE:** Install Standard Watt (250W bulb) no closer than 25 mm (1") from a sidewall and no closer than 406 mm (16") above a combustible surface, or no closer than 127 mm (5") to a non-combustible surface.
- NOTE:** Install HIGH WATT (375W bulb) no closer than 25 mm (1") from a sidewall and no closer than 686 mm (27") above a combustible surface, or no closer than 127 mm (5") to a non-combustible surface.
- NOTE:** Multiple installation of Decorative Lamps must have a minimum clearance of 305 mm (12") on center of shade between each unit.

Specify the following information with your order:

- Electrical:**
Voltage: 120 or 240
Wattage 200 (Luminaire), 250 (Standard) or 375 (High)
- Mounting Style Code:** A, C, CT, P, R, RT, S or ST
- Switch Location Code:** Lower (L), None (N), Remote (R) or Upper (U). DLH models must have remote switch or none
- Shade Style Code:** -400, -500, -600, -700, -725, -750, -760, -775, -800, -1100, -1200, -1300, -1400 or -1500
- Shade and Canopy Colors:**
Warm Red, Black, Gray Granite, White Granite, Navy Blue, Hunter Green, Antique Copper, Smooth White, Gleaming Gold, Glossy Gray, Bold Black, Radiant Red* (lampshade only), Brilliant Blue* (lampshade only), Clear Brushed Metal* (lampshade only), Bright Brass*, Bright Nickel*, Bright Copper*, Antique Nickel*, Antique Brass* or Antique Bronze*
- Overall Unit Length:** For C, CT, S or ST Mounts, from ceiling to bottom of warmer lamp shade
For A or P Mounts, from center of shade to wall plus vertical shade length
- Clearance:** From bulb to surface (see **NOTE** Clearance Requirements above)
- Accessory Bulb Color/Coating:**
60W Clear Coated (Luminaire only)
250W Clear Uncoated, Clear Coated, Red Uncoated or Red Coated
375W Clear Uncoated, Clear Coated
- Optional Cord Color:** Black (standard), White (optional)
(Track Color for 120V ONLY: Black [standard], White [optional])

* Special process required and extended lead times.
Specify your appropriate accessories with your order.



Decorative Lamps/ Luminaires

Hatco Decorative Lamps provide radiant heat to briefly hold food warm at kitchen work areas, wait staff pickup stations or customer serving points, while enhancing your décor. Versatile enough for any location, the range of lights are available with a selection of personalized choices: shade styles, colors, switch locations and mounting arrangements. Configurations for lighting (Luminaire), as well as foodwarming, are available.

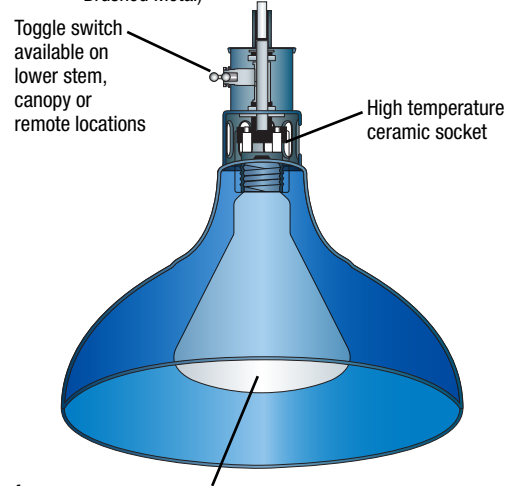
NOTE: Decorative Lamps and Luminaires are non-returnable.

- Decorative Lamps and Luminaires available in fourteen (14) shade styles
- Eight (8) different mounting arrangements to choose from
- Available in seven (7) Designer colors, seven (7) Gloss finishes and six (6) Plated finishes
- Four (4) power switch options:
 - ~ Upper (on canopy)
 - ~ Lower (at stem)
 - ~ Remote
 - ~ None
- Low, standard and high watt bulbs available in certain voltages
- Available for food holding and display or lighting only applications
- Track mounting available for 120V only

Various cord lengths available, starting at 432 mm (17") to desired length, while rigid and retractable can vary

Black cord is standard (white cord optional)

Rigid Stem Mount in unit color (except for Gloss finishes Radiant Red, Brilliant Blue and Clear Brushed Metal)



Bulbs for:
 60W in clear coated (Luminaire only, 120V or 240V)
 250W (120V or 240V) in clear, coated or uncoated
 250W (120V only) in red, coated or uncoated

Build A Decorative Lamp

Hatco has given you a variety of simple and easy ways to "Build Your Decorative Lamp." You can go online or quickly do the work tables of "How to Build Your Lamp" on pages 4 through 6.

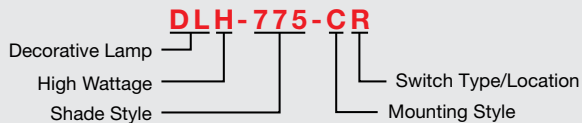
- GO online at: www.hatcocorp.com and click on "Build a Lamp." (Download a PDF of your lamp configuration in color and a Hatco List Price Quote)
- OR follow the six steps in the Hatco Brochure (next three pages) to build your Hatco model code. Then look at the following page for the accessories, like a bulb or track, to easily complete your total order.



Now you can develop your own Hatco Decorative Lamp solutions with our online lamp configurator.

Visit www.hatcocorp.com & click on "Build a Lamp"

HOW TO BUILD A LAMP



Specify the following options when ordering:

1 Electrical	DLH	(High watt - 375 watt max)	<input type="text"/>
2 Mounting Style	C	(Cord mount)	<input type="text"/>
3 Switch Location	R	(Remote switch location)	<input type="text"/>
4 Shade Style	-775	(Shade style)	<input type="text"/>
5 Shade Color	BBRASS	(Bright Brass Plated finish)	<input type="text"/>
6 Overall Length	2032 mm (80")	(Overall length) – Only C mounts & over 1829 mm (72")	<input type="text"/>
(Specify to the nearest inch – CL, CU, CT, PL, PU, SL, SU, ST mounts only).			TOTAL \$ <input type="text"/>

Information indicated in red are items that the customer should enter.
 Bulbs are not included.



Build A Decorative Lamp Configurator Worksheet

Complete the six steps on this worksheet to configure your Hatco model code. In order to get exactly what you need in the least amount of time, have this handy when ordering your Hatco Decorative Lamp.



BUILD YOUR DECORATIVE/LUMINAIRE LAMPS – STEPS 1 AND 2
 (To determine your total list price and model code, pick all your options - bulb not included)

STEP 1: ELECTRICAL

Voltage† 120 or 240

Wattage – See Price List

- DL** 200 Watt max (Luminaire)
- DL** 250 Watt max (Standard)
- DLH** 375 Watt max (High)

† 240V available with CE Mark.

STEP 2: MOUNTING STYLE

Mounting Style – See Price List

- A** Arm
- P** Pivot
- C** Cord (specify Cord Color)
- CT *** Cord to Track Adapter (specify Cord and Track Color)
- R** Retractable (specify Cord Color)
- RT *** Retractable to Track Adapter (specify Cord and Track Color)
- S** Stem
- ST *** Stem to Track Adapter

* Available for 120V only.

NOTE: Lamp shade diameter and wattage may limit number of Lamps per track. To ensure warranty coverage, do not install track systems in damp or wet locations (including above steam tables).

Go to next page for Steps 3-4.

NOTE: Decorative Lamps and Luminaires are non-returnable.

DLX - XXXX - XXX



MOUNTING STYLES	SPECIFY:	Shade Height	
		216 mm (8½" H)	267 mm (10½" H)
A Mount Rigid Mount to canopy with pivot.	Horizontal Stem Length	178 to 508 mm (7 to 20")	
	Overall Length	432 to 762 mm (7" to 20")	483 to 813 mm (19" to 32")
P Mount Rigid Mount to canopy with pivot.	Overall Length (from pivot to bottom of shade)	432 to 1803 mm (17" to 71")	483 to 1854 mm (19" to 73")
	Overall Length	432 mm (17") to any length	483 mm (19") to any length
C Mount Cord Mount to canopy.	Overall Length	787 to 1765 mm (31" to 69½")	838 to 1816 mm (33" to 71½")
		Adjusts to a maximum and minimum according to shade height	
RT Mount * Retractable Cord Mount to track adapter.	Overall Length	848 to 1826 mm (33⅜" to 71⅞")	899 to 1876 mm (35⅜" to 73⅞")
S Mount Rigid Stem Mount to canopy.	Overall Length	356 to 1803 mm (14" to 71")	483 to 1854 mm (16" to 73")
		ST Mount * Rigid Stem Mount to track adapter.	432 to 1803 mm (17" to 71")

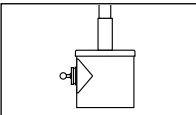
Build A Decorative Lamp Configurator Worksheet

Continued from page 4

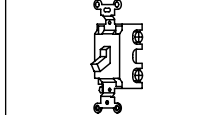


BUILD YOUR DECORATIVE/LUMINAIRE LAMPS – STEPS 3 AND 4
 (To determine your total list price and model code, pick all your options - bulb not included)

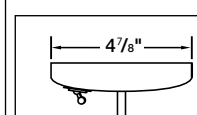
SWITCH LOCATIONS



L - Lower Switch
 Not available on:
 • DLH (high watt models)
 • A mount



R - Remote Switch
 • Accommodates 16 amps
 • Up to seven (7) 250W Lamps, or five (5) 375W Lamps maximum per remote switch



U - Upper Switch
 Not available on:
 • DLH (high watt models)
 • R mount
 • Track mounts (CT, RT, ST)

STEP 3: SWITCH LOCATION

Switch Location –	See Price List
L	Lower (not available on High Watt models)
N	None
R	Remote
U	Upper (not available on High Watt models)

SHADE STYLES (height and width shown)

216 mm (8½")

- 400 (156 mm / 6 1/8")
- 500 (156 mm / 6 1/8")
- 600 (159 mm / 6 3/4")
- 700 (165 mm / 6 1/2")
- 725 (241 mm / 9 1/2")

216 mm (8½")

- 750 (279 mm / 11")
- 760 (318 mm / 12 1/2")
- 775 (267 mm / 10 1/2")
- 800 (279 mm / 11")

216 mm (8½")

- 1100 (Cylinder) (165 mm / 6 1/2")
- 1200 (Square) (178 mm / 7")
- 1300 (Triangular) (293 mm / 11 9/16")
- 1400 (Octagonal) (178 mm / 7")
- 1500 (169 mm / 6 11/16")

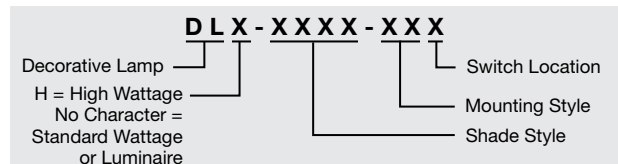
STEP 4: SHADE STYLE

Shade Code* –	See Price List
-400	
-500	
-600	
-700	
-725	
-750	
-760	
-775	
-800	
-1100	
-1200	
-1300	
-1400	
-1500	

* Ship weight is 3-5 kg (6-10 lbs.), depending on components.

Go to next page for Steps 5-6.

NOTE: Decorative Lamps and Luminaires are non-returnable.





Build A Decorative Lamp Configurator Worksheet

Continued from page 5

BUILD YOUR DECORATIVE/LUMINAIRE LAMPS – STEP 5 AND 6
 (To determine your total list price and model code, pick all your options - bulb not included)



Visit www.hatcocorp.com & click on "Build a Lamp"

STEP 5: SHADE AND CANOPY COLORS

Shade and Canopy Colors – See Price List

Designer Colors

RED	Warm Red	NAVY	Navy Blue
BLACK	Black	GREEN	Hunter Green
GRAY	Gray Granite	COPPER	Antique Copper
WHITE	White Granite		

Gloss Finishes

SWHITE	Smooth White	GGRAY	Glossy Gray
GGOLD	Gleaming Gold	BBLACK	Bold Black

Shade Finish Only (must choose other finish for remainder of unit) – Special Process Required and Extended Lead Times –

RRED	Radiant Red
BBLUE	Brilliant Blue
CL-COAT	Clear Brushed Metal

Plated Finishes

Special Process Required and Extended Lead Times –

BBRASS	Bright Brass
BNICKEL	Bright Nickel
BCOPPER	Bright Copper
ANICKEL	Antique Nickel
ABRASS	Antique Brass
ABRONZE	Antique Bronze

SHADE AND CANOPY COLORS

Designer Colors



Gloss Finishes



Gloss Finishes for Shade Only – Special Process Required and Extended Lead Times



Printed colors are a representation and may not exactly match our Designer, Gloss and Plated Finishes.

Plated Finishes – Special Process Required and Extended Lead Times



Exception: DL-1500 for Shade Only –



*Gloss and Plated Finishes – Special Process Required and Extended Lead Times

STEP 6: OVERALL LENGTH

Overall Length – For C, CT, S or ST Mounts, from ceiling to bottom of warmer lamp shade. For A or P Mounts, from center of shade to wall plus vertical shade length (specify exact length in whole numbers).

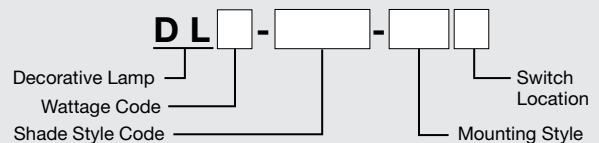
Up to 1829 mm (72")	See Price List
Greater than 1829 mm (72") (C Mount only)	See Price List

YOUR TOTAL LIST PRICE AND MODEL CODE

Add the total costs of options below (not for retrofit – bulb not included) –

Step 1	Electrical	<input type="text"/>
Step 2	Mounting Style	<input type="text"/>
Step 3	Switch Location	<input type="text"/>
Step 4	Shade Style	<input type="text"/>
Step 5	Shade and Canopy Colors	<input type="text"/>
Step 6	Overall Length	<input type="text"/>

Your Total Price \$

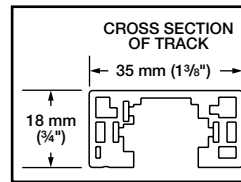
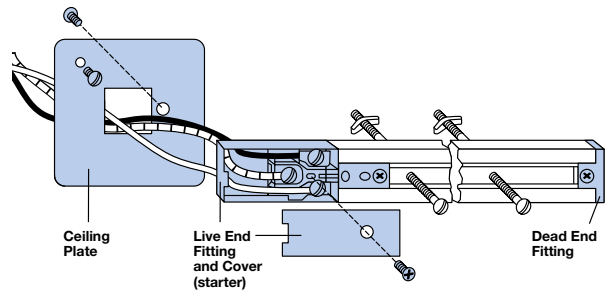


BULBS AND ACCESSORIES – PAGE 7

NOTE: Decorative Lamps and Luminaires are non-returnable.



TRACK INSTALLATION AND MODIFICATION KIT – Highlighted components (for cutting Track Length into multiple sections)

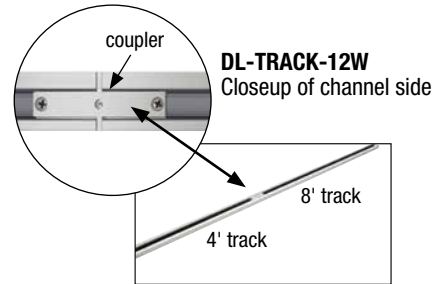


OPTIONS (available at time of purchase only)

DL-CORD-BK	Black Cord – Standard (C = Cord, R = Retractable Mounts only)
DL-CORD-WHITE	White Cord (C = Cord, R = Retractable Mounts only)
Leads – For any SL, SR or SU Mount units, must specify Lead Length –	
LEADS5	305-1524 mm (1'-5") Extended Electrical Leads
LEADS10	1829-3048 mm (6'-10") Extended Electrical Leads
LEADS15	3353-4572 mm (11'-15") Extended Electrical Leads
LEADS20	4877-6096 mm (16'-20") Extended Electrical Leads

ACCESSORIES (available for purchase at any time)

DL-TRACK-4B	1219 mm (4') Track Mount Bar, Black† ▼
DL-TRACK-4W	1219 mm (4') Track Mount Bar, White† ▼
DL-TRACK-8B	2438 mm (8') Track Mount Bar, Black† ▼
DL-TRACK-8W	2438 mm (8') Track Mount Bar, White† ▼
DL-TRACK-12B	One 2438 mm (8') plus one 1219 mm (4') Track Mount Bar with Coupler, Black† ▼
DL-TRACK-12W	One 2438 mm (8') plus one 1219 mm (4') Track Mount Bar with Coupler, White† ▼
DL-TRACK-16B	Two 2438 mm (8') Track Mount Bars with Coupler, Black† ▼
DL-TRACK-16W	Two 2438 mm (8') Track Mount Bars with Coupler, White† ▼
DL-TRACKBLK	Additional Track Installation and Modification Kit (includes Ceiling Plate, Live End Fitting and Cover [Starter] and Dead End Fitting) – Black (for cutting Track Length into multiple sections, see above) ▼
DL-TRACKWHT	Additional Track Installation and Modification Kit (includes Ceiling Plate, Live End Fitting and Cover [Starter] and Dead End Fitting) – White (for cutting Track Length into multiple sections, see above) ▼
DL-SWITCH-16AMP	16 Amp Lamp Toggle Switch
WHITE-CTD-120L	120V, 60W Clear Bulb, Coated (Luminaire models only)
WHITE-CTD-240L	240V, 60W Clear Bulb, Coated (Luminaire models only)
WHITE-UCTD-120	120V, 250W Clear Bulb, Uncoated
WHITE-UCTD-240	240V, 250W Clear Bulb, Uncoated
WHITE-CTD-120	120V, 250W Clear Bulb, Coated
WHITE-CTD-240	240V, 250W Clear Bulb, Coated
RED-UCTD-120	120V, 250W Red Bulb, Uncoated
RED-CTD-120	120V, 250W Red Bulb, Coated



RED uncoated, **WHITE** uncoated,
RED coated, **WHITE** coated



† Tracks may be cut to fit any length by installer. Modification kits available.

‡ Maximum seven (7) 250 watt lamps or five (5) 375 watt lamps per 20 amp Track Bar Circuit. Maximum 1920 watts or 16 amps per any length track. Installer is responsible for properly sizing the supply circuit and the lamp load. Lamp shade diameter and wattage may limit number of lamps per track.

▼ Available in 120V only.

NOTE: Decorative Lamps and Luminaires are non-returnable.



Glo-Rite® Curved Display Lights

A stylish choice for illuminating your serving area. The Glo-Rite® Curved Display Light offers the highest light output that is ideal for illuminating food products with either a warm white light (3050K) or a cool or neutral white light (4100K).

The sleek, curved design is patented and the LED lighting delivers significant savings with lower energy consumption and greater reliability.

Hatco provides you with a wide variety of colors and lengths for any serving area.



- Features a patented curved housing design with energy efficient dual LED lights across the display lamp that provide longer performance and energy savings (compared to standard incandescent bulbs)
- Lengths available from 457-1829 mm (18"-72") in 152 mm (6") increments
- Field replaceable dual LED lights
- Matches the Hatco line of Glo-Ray® Curved Infrared Strip Heaters for a fully integrated look
- Angle brackets (Black only) and 152 mm (6") power leads are standard
- Optional non-adjustable tubular stands available



HL5-36
Clear Anodized (standard) shown in top and underside views

GLO-RITE® CURVED DISPLAY LIGHTS

Model	Width	Voltage [‡] Single Phase	kW	Ship Weight*
Standard Watt				
HL5-18	457 mm (18")	120	4.3	4 kg (9 lbs.)
HL5-24	610 mm (24")	120	5.9	5 kg (10 lbs.)
HL5-30	762 mm (30")	120	7.6	5 kg (11 lbs.)
HL5-36	919 mm (36")	120	9.2	6 kg (12 lbs.)
HL5-42	1067 mm (42")	120	10.8	6 kg (13 lbs.)
HL5-48	1219 mm (48")	120	12.4	6 kg (14 lbs.)
HL5-54	1372 mm (54")	120	14.0	7 kg (15 lbs.)
HL5-60	1524 mm (60")	120	15.7	7 kg (16 lbs.)
HL5-66	1675 mm (66")	120	17.3	8 kg (17 lbs.)
HL5-72	1829 mm (72")	120	18.9	8 kg (18 lbs.)

‡ CE Mark not available.

* Weights do not include shipping materials.

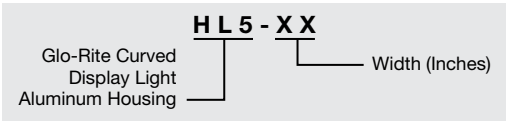
All Curved Display Light Models Feature:

Voltage: 120, single phase.

Models Shipped with: Black end panels and angle brackets with rocker switch under unit on power side.

Leads: 152 mm (6") leads – on power side.

Dimensions: 457-1829 W x 152 D x 77 H mm (18"-72" x 6" x 3") – height includes standard angle bracket.



OPTIONS (available at time of purchase only)

Designer Colors – Non-standard colors are non-returnable – Clear Anodized Standard –

RED	Warm Red
BLACK	Black
GRAY	Gray Granite
WHITE	White Granite
NAVY	Navy Blue
GREEN	Hunter Green
COPPER	Antique Copper

Gloss Finishes – Non-standard colors are non-returnable –

GGOLD	Gleaming Gold
GGRAY	Glossy Gray
BBLACK	Bold Black
RRED	Radiant Red
BBLUE	Brilliant Blue

OPTIONS (available at time of purchase only)

Leads (must specify Lead Length) –

HL5-LEAD5	1524 mm (5') total Power Lead Length (includes a 914 mm [3'] Conduit)
HL5-LEAD6	1829 mm (6') total Power Lead Length (includes a 914 mm [3'] Conduit)
HL5-LEAD7	2134 mm (7') total Power Lead Length (includes a 914 mm [3'] Conduit)
HL5-LEAD8	2438 mm (8') total Power Lead Length (includes a 914 mm [3'] Conduit)
HL5-LEAD9	2743 mm (9') total Power Lead Length (includes a 914 mm [3'] Conduit)
HL5-LEAD10	3048 mm (10') total Power Lead Length (includes a 914 mm [3'] Conduit)
HL5-CORD	1829 mm (6') Cord & Plug Set (NEMA 5-15P)
NTL5-10, -12	Non-Adjustable Tubular Stands (specify 254 mm [10"] or 305 mm [12"] clearance)
NTL5-14, -16	Non-Adjustable Tubular Stands (specify 356 mm [14"] or 406 mm [16"] clearance)

Designer Color or Gloss Finish for Non-Adjustable Tubular Stands – Non-standard colors are non-returnable –

NTL5-PAINT

LED Lights –

HL5-3050 Warm White (3050K)

HL5-4100 Cool or Neutral White (4100K)

COLORS AND FINISHES - PAGE 11

Glo-Rite® Display Lights

Let the light shine on your work surface or display areas with the Glo-Rite® Display Lights. Durable and effective, Hatco light strips are made of extruded aluminum housings with bright-annealed reflectors for maximum brightness.

- Extruded aluminum housings
- Incandescent bulbs with special protective coating to guard against food contamination
- Bright-annealed reflectors for maximum brightness
- Extra lamps available on models from 610 to 1829 mm (24" to 72")
- Optional *Designer* colors: Warm Red, Black, Gray Granite, White Granite, Navy Blue, Hunter Green, Antique Copper



HL-24-2 including extra lamp assembly with lamps on 305 mm (12") centers – standard

GLO-RITE® DISPLAY LIGHTS

Model	Voltage†		No. of Bulbs	Width	Watts*	Ship Weight
	Single Phase					
HL-18	120, 220, 240		2	457 mm (18")	120	3 kg (6 lbs.)
HL-24	120, 220, 240		2	610 mm (24")	120	3 kg (7 lbs.)
HL-24-2	120, 220, 240		3	610 mm (24")	180	3 kg (7 lbs.)
HL-30	120, 220, 240		2	762 mm (30")	120	3 kg (7 lbs.)
HL-30-2	120, 220, 240		4	762 mm (30")	240	3 kg (7 lbs.)
HL-36	120, 220, 240		3	914 mm (36")	180	4 kg (8 lbs.)
HL-36-2	120, 220, 240		5	914 mm (36")	300	4 kg (8 lbs.)
HL-42	120, 220, 240		3	1067 mm (42")	180	5 kg (10 lbs.)
HL-42-2	120, 220, 240		6	1067 mm (42")	360	5 kg (10 lbs.)
HL-48	120, 220, 240		4	1219 mm (48")	240	5 kg (11 lbs.)
HL-48-2	120, 220, 240		7	1219 mm (48")	420	5 kg (12 lbs.)
HL-54	120, 220, 240		4	1372 mm (54")	240	5 kg (12 lbs.)
HL-54-2	120, 220, 240		8	1372 mm (54")	480	6 kg (13 lbs.)
HL-60	120, 220, 240		5	1524 mm (60")	300	6 kg (13 lbs.)
HL-60-2	120, 220, 240		9	1524 mm (60")	540	6 kg (14 lbs.)
HL-66	120, 220, 240		5	1676 mm (66")	300	6 kg (14 lbs.)
HL-66-2	120, 220, 240		10	1676 mm (66")	600	7 kg (15 lbs.)
HL-72	120, 220, 240		6	1829 mm (72")	360	8 kg (18 lbs.)
HL-72-2	120, 220, 240		10	1829 mm (72")	600	10 kg (22 lbs.)

† 240V available with CE Mark.

* With 60 watt bulb.

All Display Light Models Feature:

Toggle Switch (max. 15 amps) Location: Chef's left side (unless otherwise specified).

Leads: 152 mm (6") leads – server's right.

Dimensions: 76 D x 64 H mm (3" x 2½").

OPTIONS (available at time of purchase only)

HL-40W	40 Watt Bulb in lieu of standard Display Light (120V only)
NO BULB	No Bulb
REM TOG	Remote Toggle Switch (max. 15 Amps)

Leads (must specify Lead Length) –

LEADS5	305-1525 mm (1'-5') Extended Electrical Leads
LEADS10	1829-3048 mm (6'-10') Extended Electrical Leads
LEADS15	3352-4572 mm (11'-15') Extended Electrical Leads
LEADS20	4877-6096 mm (16'-20') Extended Electrical Leads

ACCESSORIES (available for purchase at any time)

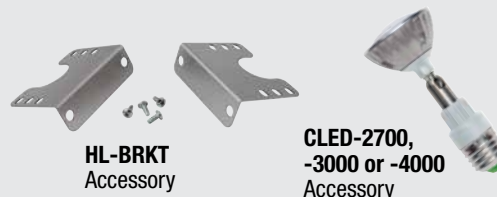
HL-BRKT	Adjustable Angle Bracket
LED Bulbs (120V) –	
CLED-2700-120	Chef LED Bulb (emulates incandescent)
CLED-3000-120	Chef LED Bulb (emulates halogen)
CLED-4000-120	Chef LED Bulb (emulates fluorescent)

COLORS AND FINISHES - PAGE 11

OPTIONS (available at time of purchase only)

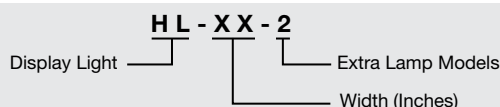
Designer Colors – Non-standard colors are non-returnable –

RED	Warm Red
BLACK	Black
GRAY	Gray Granite
WHITE	White Granite
NAVY	Navy Blue
GREEN	Hunter Green
COPPER	Antique Copper



HL-BRKT
Accessory

CLED-2700,
-3000 or -4000
Accessory





Save money lighting your
Hatco Glo-Ray® Strip Heater



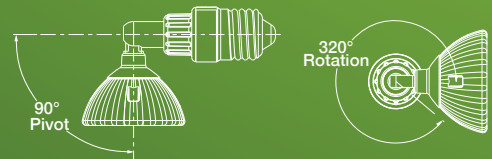
GREEN ENERGY



Commit to going green in your foodservice operation with Hatco Corporation's new patented Chef LED Bulbs! Made of shatterproof polycarbonate, which encases the LED bulb mechanism, the Chef LED Bulbs have substantial benefits and energy savings over other bulbs. These bulbs are designed to be used in select Hatco Strip Heater models and are directional, so you can adjust it to your ideal setting. Other features include:

- Average of 49% increased light output, based on Foot Candle average delivered to surface
- Unique design allows operation over a steam table
- Up to 92% energy savings versus 60 watt incandescent or halogen bulb
- 120V offering
- Warrantied for one year

ecoization®



Go to www.hatcocorp.com and download the LED Cost Savings & Energy Analysis calculator to review your energy savings potential.



Scan to see how easy it is to install the Chef LED bulb, and direct the light, in your foodwarmer.

**CLED-2700
(Warm Light)**

4.5 watt

25,000 Hours

Closest kelvin
Incandescent

**CLED-3000
(Warm Light)**

4.5 watt

25,000 Hours

Closest kelvin
Halogen

**CLED-4000
(Cool Light)**

4.5 watt

25,000 Hours

Closest kelvin
Flourescent Tube

**BULB:
Halogen**

60 watt

1,500 Hours

**BULB:
Incandescent***

60 watt

3,000 Hours

*Appliance bulb

Used in HL, GRAL, GRAHL, GRAL-xxD, GRAIHL, GR2AL, GR2AHL & GR2AL-xxD models, see accessories. Please contact factory for the most up-to-date listing of models that can use Chef LED Bulbs.

DL-1200-SR in Gloss finish Clear Brushed Metal



Paint Chip Sample Colors

DESIGNER COLORS



GLOSS FINISHES



PLATED FINISHES



*Colors are a representation and may not exactly match our colors.
Consult factory for possible color matching options on these colors.
Non-standard colors are non-returnable.*

To order a Hatco Paint Chip & Stone Sample Colors Sheet, visit www.hatcocorp.com / Order Literature / Sales Literature / Sell Sheets.

Sturgeon Bay, WI 54235 U.S.A. Telephone: (414) 671-6350 hatcocorp.com



Scan with web-enabled
mobile device to visit
www.hatcocorp.com

Hatco Corporation

P.O. BOX 340500 | Milwaukee, WI 53234-0500 USA

800-558-0607 | 414-671-6350

www.hatcocorp.com | support@hatcocorp.com