



WAREWASHING
UNDERCOUNTER DISHWASHER

PROFI FX

EFFICIENT - RELIABLE - INNOVATIVE



 made in germany

MADE IN GERMANY

“Made in Germany” has been synonymous with quality and reliability in the premium segment for a long time and still is today. A company can only maintain its hold on the market by keeping its promise to continually deliver high quality.

WORLDWIDE

Whether you need a completely new kitchen or a replacement item our competent subsidiaries and partners all over the world would be pleased to support you. It's nice to know we are always there.



1883 Mr. Charles Clarence Hobart builds his first engines and generators in Middletown, Ohio.

1886 J.C. Cochran receives the patent for the first dishwasher.

1897 The HOBART ELECTRICAL MANUFACTURING COMPANY was founded in Troy Ohio, through the acquisition of the engine and generator factory of the HOBART family.

1903 HOBART builds the first food processor (a self-contained powered coffee mill).

1926 HOBART purchases The Crescent Washing Machine Company, and enters the commercial warewashing market: the first warewashing machine carrying a HOBART label.

1930 Foundation of the HOBART MASCHINEN GESELLSCHAFT in Hamburg, Germany.

1953 HOBART receives the patent for the first flight-type dishwasher.

1960 Acquisition of the dishwashing department of the company K. Martin, Offenburg, Germany.

1980 Production plant in Elgersweier, Germany, was newly built.

1986 PREMARK INTERNATIONAL GROUP was formed in Deerfield, Illinois.

1997 HOBART CORPORATION'S 100th anniversary.

1999 Integration of PREMARK into ITW.

2007 HOBART presents its new dishwasher generation PREMAX.



HOBART PHILOSOPHY

UNDERSTAND – SIMPLIFY – FOCUS – INNOVATE

This philosophy provides the continuing motivation to develop innovations, which are the best driver of economic development and a guarantee for job security. It is a philosophy of the essential, of customer value, of simplicity. A philosophy built on the conviction that things created for a purpose and with logic, do not need to be completely renewed, but must instead be subject to continuous evolution.

HOBART VISION

“WASH WITHOUT WATER”

Before PREMAX, a flight-type dishwasher with a 50% water saving would have been utopia. At HOBART, efficiency and responsible use of natural resources when developing new machines have always gone hand in hand. With PREMAX, the company has set a further milestone, and has further extended its leadership in innovation. But even so, HOBART is not satisfied with this. The company will not diminish the pace of its innovation, and will look for further opportunities to save even more. When the day arrives that a machine is able to wash without water, we already know, it will be a PREMAX.

HOBART FOCUS

INNOVATION

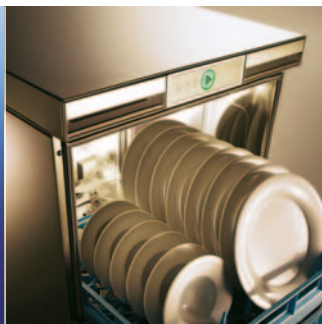
Without the readiness to invest in the future, without the natural reaction of always questioning ourselves, without interdisciplinary basic research and consistent customer focus, PREMAX would be inconceivable. Worldwide, over 300 research and development engineers and global marketing teams, who identify customer requirements, as well as the company's own Tech-Center, with over 1,000 patent applications annually, develop innovative technology and make PREMAX possible.

ECOLOGY

The HOBART environmental protection program CO₂NSEQUENT has been in existence for some time. The program includes a large number of measures that are all related to protecting the environment. These measures are implemented in production, purchasing, the development and sale of products and in additional projects.

ECONOMY

Already in the early 1980s our E-formula set standards in energy saving and recovery which are still unique today. This innovative spirit found its fulfillment in the PREMAX line. The PREMAX flight-type dishwasher saves up to 50% water, 30% energy, and 80% chemicals in comparison with conventional technologies, making HOBART a model in terms of efficiency and economy.



1

2

1 "Today prices are going up. Fortunately, the new HOBART saves 30 % water. 2.5 l per cycle is top. Moreover, it achieves better wash results than our old dishwasher."

3

4

2 "In the past we had to wash every little thing in the central kitchen. With the HOBART we can wash the breakfast dishes here at our ward. This makes everything so easy."

3 "I am sick and tired of washing every dirty plate extra. Changing the water always takes a lot of time. The new HOBART is great, it changes the water when needed just by pressing a button. Now, I can wash big plates in between and there are still no spots on the wash ware."

4 "The fantastic HOBART machine offers enough room for our trays. We also wash our cups and dishes from the coffeecorner with it. Even milk remainders are no problem any longer. The machine changes the water by simply pressing a button, so we don't have to wait very long."

Jean-Pierre Dausset
Restaurant,
Montpellier, France

Saara Halonen
Hospital,
Lathi, Finland

Jerry Elliott
Butcher's shop,
Calgary, Canada

Liselotte Becker
Bakery,
Berlin, Germany



PROFI FX

EFFICIENT – RELIABLE – INNOVATIVE

1 | WASH RESULT

**PATENT
PENDING**

FINE FILTER SYSTEM GENIUS-X²

Permanently clean wash water is the key requirement for an optimal wash result with less detergent and water consumption. In the next generation GENIUS-X² fine filter system, the wash water is continuously led through a system of filters. During the wash cycle the majority of soil particles are removed during the first phase of draining. Any remaining soil particles are retained in the filter and are then removed during the second stage of draining, just before the final rinse. The tank water is then replenished with 2,5 liters of fresh hot rinse water. This optimal regeneration ensures a perfect wash result.

The GENIUS-X² cleans itself during the draining phase. The fine filter system GENIUS-X² reduces detergent consumption by up to 30%.

RINSE SYSTEM ACCURINSE

Ensuring constant temperature and volume of clean rinse water is vital to achieve not only clean, but hygienically clean table-ware. The HOBART system “pulls” rather than “pushes” the rinse water through the booster and is totally independent of flow pressure on site thus preventing any mixing with external cold water. The ACCURINSE system delivers precisely 2.5 liters of fresh water at a constant 80°C every cycle to ensure perfect hygiene standards. In addition the precision of ACCURINSE saves up to 30% water, energy, detergent and rinse aid.

X-CHANGE CYCLE AQUA-NEW

Items like milk glasses, cappuccino cups, ice cream bowls and greasy utensils overload the wash water with fat, reducing the detergent efficiency. HOBART's unique AQUA-NEW X-Change cycle drains the wash water from the tank before the rinse, pumping out emulsified fat and other food soil. The tank is then refilled with fresh water from the rinse for the following cycle. The X-Change cycle can be activated automatically as required at the touch of a button.

HEAT ELEMENT ECOTHERM

A consistently high wash temperature extracts maximum cleaning performance from the detergent solution. HOBART research has established that higher washing temperatures optimize detergent performance and ECOTHERM, using just 1 kW of energy, ensures a constant 62°C even during continuous use. The extra heat within the washed ware also improves the drying result.

STRAINER CONTROL SYSTEM PROOF

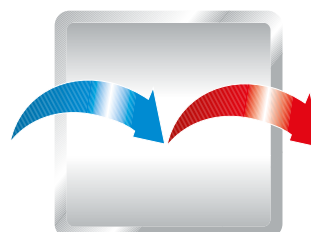
Clean wash water and accurate detergent dosage are key factors in achieving a clean and hygienic wash result. An efficient filter system is useless if it is not in the right position. The filter control PROOF has an interlock which is continuously monitored by the SMARTRONIC control. The wash cycle can only be activated if the filter is correctly positioned.

HYGIENIC – CLEAN – ECONOMICAL



The fine filter system GENIUS-X², with integrated pre-washing process, filters the wash water continuously and then pumps out the soil particles.

FLEXIBLE – CONSTANT



The switchable AQUA-NEW fill and dump programme washes very dirty wash ware in between – without manual changing of water.



1 | WASH RESULT

WASH SYSTEM ROTORG

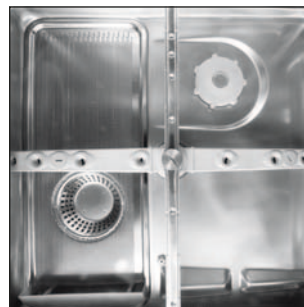
The separated and rotating wash and rinse arms of the HOBART wash system ROTOR guarantee a good wash result. The arms, driven by the waterpressure distribute the suds and the rinsing aid evenly in the total interior. The rotation produces an additional dynamic washing mechanism.

**PATENT
PENDING**

WIDE ANGLE NOZZLE FAN

Washing efficiency depends largely on the distribution of the wash water and on avoiding any masked areas. Spraying angles and the precision of the wash jets are vital factors in achieving a powerful, searching wash action and the HOBART designed nozzles FAN provide a substantially broader and more precise spraying pattern. Compared with conventional and fixed wash arm systems the wash water is disturbed more efficiently, masking is avoided and the wash result, especially in the corners, is considerably improved.

EVERYWHERE – CONSTANT



The wash system ROTOR increases the safety reserves and guarantees a constant wash result.



The wide angle nozzle FAN avoids spray shadows and improves the wash results.

PROFI FX

EFFICIENT – RELIABLE – INNOVATIVE

2 | HANDLING

**PATENT
PENDING**

SINGLE BUTTON SMARTRONIC

In any busy establishment the dishwasher must be easy to operate and customers tell us that having simple, understandable controls is of big importance. The SMARTRONIC control with single button operation indicates the machine status in clear, self explanatory colours. Only the essential functions such as filling & heating, washing & rinsing, ready for use, and draining are indicated. Incorrect operation and misuse are almost eliminated and additional functions can be accessed as required.

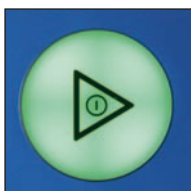
WATER SOFTENING SYSTEM NONSTOP

Limescale is a major cause of poor wash results and machine problems. Deposits build up on machine parts, in the boiler and on heating elements reducing efficiency, increasing running costs and causing failures. Detergent performance is also significantly reduced. The optional NONSTOP integral water softening system provides continuously and automatically soft water production and eliminates the downtime or extended programme times typically associated with other integral softener systems. The dishwasher, and in particular, the heating elements are maintained in optimum working order for efficient performance.

EASY – INTELLIGENT



The simple SMARTRONIC control combines the most important functions into just one STARTER button.



The STARTER button shows the operation status in self-explanatory colours:
Green: ready for operation
Blue: washing

3 | RELIABILITY

SOFT START PROTECT

In bars and bistros glass- or dishwashers are often installed under the counter, close to guests. The PROTECT soft start considerably reduces the noise emission. In addition it avoids shaking up glasses and ware, and protects components in the long run.

QUALITY

A commercial dishwasher is used up to 85.000 times during its lifecycle. To HOBART reliability is no coincidence: therefore, our machines are repeatedly exposed to daily requirements, in order to guarantee performance after progressive use. For example the door is opened and shut more than 100.000 times.

XL-CHAMBER

In bakeries, besides coffee dishes also presentation trays and baking trays are washed. In butcheries and meat processing industry additionally EN-boxes and large sheets are to be washed. Due to an enlarged chamber the FXL-model offers space for wash ware up to 600 x 400 m.

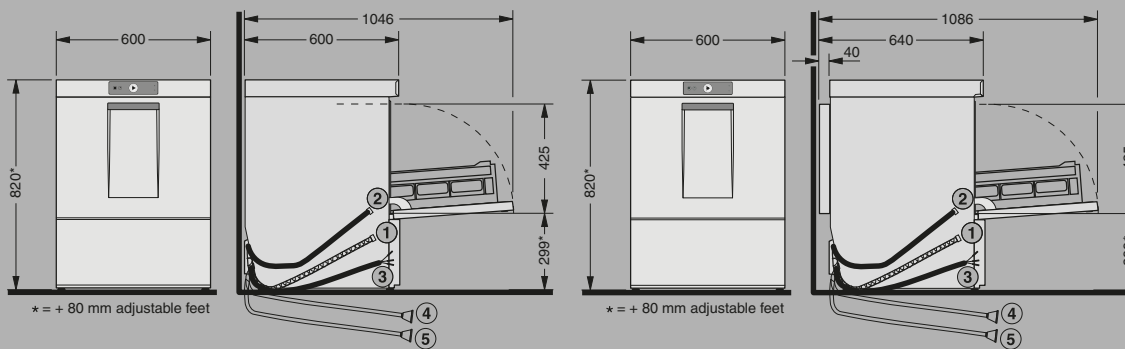
DRAIN PUMP

The drain pump, a standard fitting, drains the waste water into any effluent with a maximum height of 1 m.

MULTI-PHASING

Multi-Phasing allows the operation of the same machine either at 230 V or 400 V. According to the local situation the phasing can be changed by simple plugging, possible at any time.

SAFE – UNIVERSAL – PRACTICAL



5 TECHNICAL DATA

MODEL	FX	FXL
Cycle times in sec. [1]		
With 400 voltage	90 / 180 / 360	90 / 180 / 360
With 230 voltage	140 / 180 / 360	140 / 180 / 360
Capacity with 400 voltage [2]		
Racks/h	40	40
Dishes/h	720	720
Glasses/h	1.440	1.440
Capacity with 230 voltage [2]		
Racks/h	25	25
Dishes/h	450	450
Glasses/h	900	900
Tank volume litres	10,8	10,8
Fresh water consumption per cycle litres	2,5	2,5
Total loading kW		
With 400 voltage	7,7	7,7
With 230 voltage	3,6	3,6
Dimensions in mm		
Width	600	600
Depth	600	640
Height	820	820
Loading Height	425	425
Rack size	500 x 500 500 x 530	500 x 500 500 x 530 600 x 400
Features		
Rinse aid dispenser	incl.	incl.
Detergent dispensert	incl.	incl.
Drain pump	incl.	incl.
Water softener	optional	optional

WATER TREATMENT

For spot-free sparkling glasses, we recommend installing a water treatment system.

PARTIAL DESALINATION CARTRIDGES

for sparkling wash results when the raw water contains minerals.
Series TE output of 7,000 to 16,000 litres at 10° d (carbonate hardness)

FULL DESALINATION CARTRIDGES

for sparkling wash results when the raw water has a high mineral content.
Series VE output of 7.100 litres at 10° d (total hardness)



[1] The machine is equipped with an automatic cycle-time control which ensures hygienic rinse temperatures even on a cold-water supply or with reduced heating performance.

[2] Theoretical performance

WAREWASHING
UNDERCOUNTER DISHWASHER

PROFI FX

EFFICIENT – RELIABLE – INNOVATIVE

ALWAYS SUITABLE

CATERING

Clean plates are the business card of restaurants and hotels. The requirements to wash result and reliability are accordingly high. Easy operating is essential for daily routine with a changing staff in a seasonal business.

BAKERY

In bakeries, besides coffee dishes also presentation trays and baking trays are washed. The water tank in the FXL is completely emptied by a water exchange programme. Anodized trays are finally washed with fresh water.

BUTCHERY

In butcheries and meat processing industry EN-boxes and large sheets are to be washed as well. Due to an enlarged chamber the FXL-model offers space for wash ware up to 600 x 400 m.



WAREWASHING

COOKING

FOOD PREPARATION

WASTE TREATMENT

SERVICE

HOBART GMBH

Robert-Bosch-Straße 17

77656 Offenburg/GERMANY

Phone +49(0)781.600-28 20

Fax +49(0)781.600-28 19

email: info-export@hobart.de

www.hobart-export.com

EFFICIENT – RELIABLE – INNOVATIVE

Member of the *ITW* Food Equipment Group Europe

